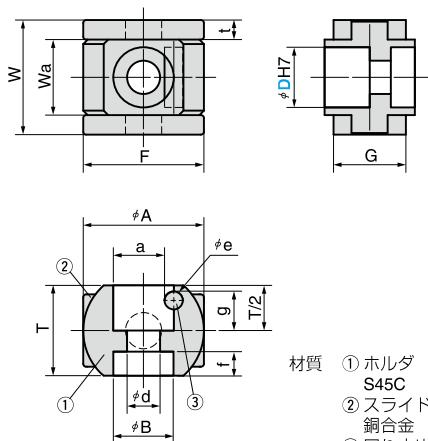


RCPHF



D	W	Wa	F	t	G	A	a	T	g	e	d	B	f
10	26	14	28	6	16	20	8.5	16	6.5	3	6	10	3
12	29	17	36	6	20	25	10	20	8	4	7	12	5
16	33	20	40	6.5	20	30	13	24	10	6	9	16	6
20	38	25	40	6.5	24	40	17	30	13	6	11	20	7
25	45	30	45	7.5	26	45	22	35	14	6	14	25	9.5
30	51	36	55	7.5	30	50	27	38	15	6	14	25	9
35	58	42	70	8	34	55	31	40	15	8	14	25	10
40	66	48	70	9	38	60	36	43	16	8	18	32	11.5

Catalog No.	D
	10
	12
	16
RCPHF	20
	25
	30
	35
	40



Order

Catalog No.	D
RCPHF	30