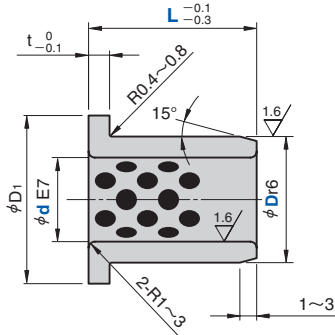


# 汎用ガイドブッシュ フランジタイプ

BUSH

SOBF

CAD  
FILE



●スライド方向



- 相手軸公差  
d8: 一般用(高負荷)  
e7: 一般用(軽負荷)  
f7: 高精度用
  - 推奨穴加工公差 H7
- 〈材質〉SO#50SP2



Order

Catalog No. **SOBF** d **35** - D **45** - L **25**

Catalog No.	d	D	L	d E7	D r6	D <sub>1</sub>	t
			10				
	8	12	12	8	12	20	
			15				
			10		+0.040 +0.025		2
			12				
	10	14	15	10	14	22	
			17				
			20		+0.034 +0.023		
			10				
			12				
	12	18	15	12	18	25	
			20				
SOBF			25				
			30				
			10				
			12				
	13	19	15	13	19	26	3
			20		+0.050 +0.032		
			25				
			30				
			15				
	14	20	20	14	20	27	
			25		+0.041 +0.028		
			10				
	15	21	12	15	21	28	
			15				
			20				

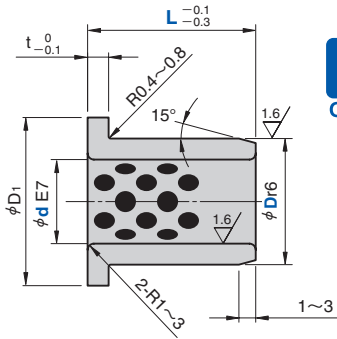
Catalog No.	d	D	L	d E7	D r6	D <sub>1</sub>	t
	15	21	25	15	21	28	
			30				
			12				
			15				
			18				
			20				
	16	22	23	16	22	29	
			25				
			30		+0.050 +0.032		3
			35				
			40				
			15			+0.041 +0.028	
			20				
			25				
	18	24	30	18	24	32	
			35				
			40				
			15				
			20				
			25				
SOBF	20	30	25	20	30	40	
			30				
			35				
			40				
			15				
			20				
			25				
	25	35	30	25	35	45	
			35		+0.061 +0.040		
			40				
			50				5
			20				
			25				
	30		30	30		40	
			35		+0.050 +0.034		
		40	40			50	
			50				
			20				
	31.5		30	31.5			
			35				
			40		+0.075 +0.050		
			20				
	35	45	20	35	45	60	
			25				

ダイガイド部品

# 汎用ガイドブッシュ フランジタイプ

## BUSH

SOBF



Catalog No. **SOBF** **35** - **45** - **50**

Catalog No.	d	D	L	d E7	D r6	D1	t
			30				
			35				
	35	45	40	35		45	60
			50				
			20				
			25		+0.050 +0.034		
	40	50	30	40		50	65
			35				
			40				
			50				
			30		+0.075 +0.050		5
			35				
	45	55	40	45		55	70
			50				
SOBF			60				
			30				
			35		+0.060 +0.041		
	50	60	40	50		60	75
			50				
			60				
	55	65	40	55		65	80
			60				
			40				
	60	75	50	60		75	90
			80		+0.062 +0.043		
	65	80	60	65	+0.090 +0.060	80	95
			70				7.5
	70	85	50	70		85	105
			80		+0.073 +0.051		
	75	90	60	75		90	110

Catalog No.	d	D	L	d E7	D r6	D1	t	
			60					
	80	100	80	80	+0.090 +0.060	100	+0.073 +0.051	120
			100					
	90	110	60	90		110		130
			80				+0.076 +0.054	
	100	120	80	100	+0.107 +0.072	120		150
			100					
SOBF	120	140	80	120		140	+0.088 +0.063	170
			100					10
	130	150	80	130		150		180
			100				+0.090 +0.065	
	140	160	80	140		160		190
			100					
	150	170	100	150	+0.125 +0.085	170		200
			120					
	160	180	100	160		180	+0.093 +0.068	210
			120					

ダイガイド部品