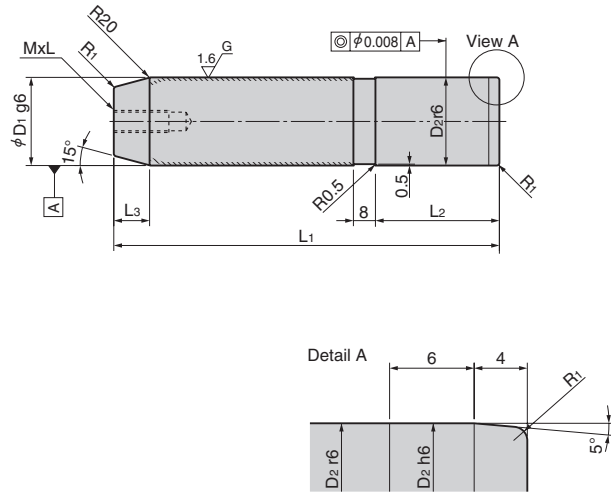


Guide Post

NAAMS STANDARD

SNG51 Series



〈Material〉 1045(S45C)
 Area to be Induction Hardened
 (Hatched Area)
 HRC57 to 62

Catalog No.		D1	D2	L1	L2	L3	R1	MxL	NAAMS Code
Series Name	No.								
	2508			80					G512508
	2510			100					G512510
	2512			125					G512512
	2514	25	25	140	40	8	2		G512514
	2516			160					G512516
	2518			180					G512518
	3210			100					G513210
	3212			125					G513212
	3214	32	32	140	45	8	2		G513214
	3216			160					G513216
	3218			180					G513218
	3220			200					G513220
	4016			160					G514016
	4018			180					G514018
	4020	40	40	200	56	8	2		G514020
	4022			225				M8x20	G514022
	4025			250					G514025
	5016			160					G515016
	5018			180					G515018
	5020			200					G515020
	5022	50	50	225	70	10	2.5		G515022
	5025			250					G515025
	5028			280					G515028
	5031			315					G515031
	6320			200					G516320
SNG51	6322			225					G516322
	6325			250					G516325
	6328	63	63	280	80	10	2.5		G516328
	6331			315					G516331
	6335			355					G516335
	6340			400					G516340
	6350			500					G516350
	8025			250					G518025
	8028			280					G518028
	8031	80	80	315	100	10	3		G518031
	8035			355					G518035
	8040			400					G518040
	8050			500					G518050
	1031			315					G511031
	1035	100	100	355	125	10	3		G511035
	1040			400					G511040
	1050			500				M12x30	G511050
	1140			400					G511140
	1150	115	115	500	140	10	3		G511150
	1240			400					G511240
	1245			450					G511245
	1250			500					G511250
	1255	125	125	550	140	10	3		G511255
	1260			600					G511260
	1265			650					G511265
	1270			700					G511270

SNG51 Series is made to order.



Catalog No.
 Series Name No.

SNG51 2508 (SNG512508)