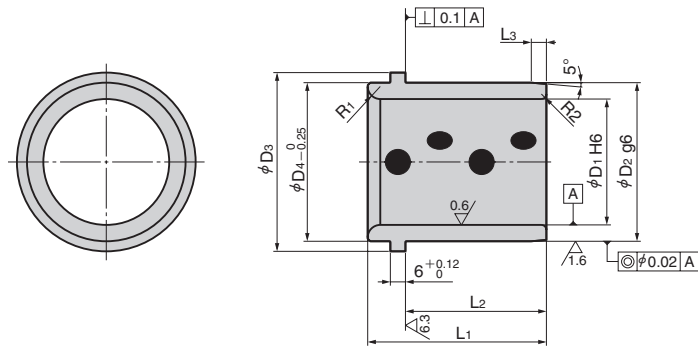


Guide Bushing

NAAMS STANDARD

SNG61 Series



● Sliding Direction



(Material) SO#50SP2

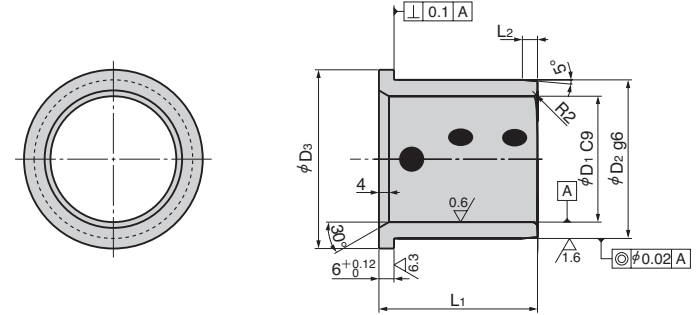
Catalog No.		D1	D2	D3	D4	L1	L2	L3	R1	NAAMS Code
Series Name	No.									
	2540	25	32	40	32	40	30	4	3	G612540
	3250	32	40	50	40	50	40	4	3	G613250
	4063	40	50	63	50	63	50	5	3	G614063
SNG61	5071	50	63	71	63	71	56	6	5	G615071
	6380	63	80	90	80	80	63	8	6	G616380
	8010	80	100	112	100	100	80	10	8	G618010
	1012	100	125	140	125	125	106	12	10	G611012
	1114	115	140	155	140	140	120	12	10	G611114
	1216	125	160	180	160	160	132	12	12	G611216

SNG61 Series is made to order.



Catalog No.	
Series Name	No.
SNG61	4063 (SNG614063)

SNG71 Series



● Sliding Direction



(Material) SO#50SP2

Catalog No.		D1	D2	D3	L1	L2	NAAMS Code
Series Name	No.						
	2540	25	32	40	40	4	G712540
	3250	32	40	50	50	4	G713250
	4055	40	50	63	55	5	G714055
SNG71	5063	50	63	71	63	6	G715063
	6375	63	80	90	75	8	G716375
	8090	80	100	112	90	10	G718090
	1011	100	125	140	115	12	G711011
	1213	125	160	180	138	12	G711213

SNG71 Series is made to order.



Catalog No.	
Series Name	No.
SNG71	4055 (SNG714055)