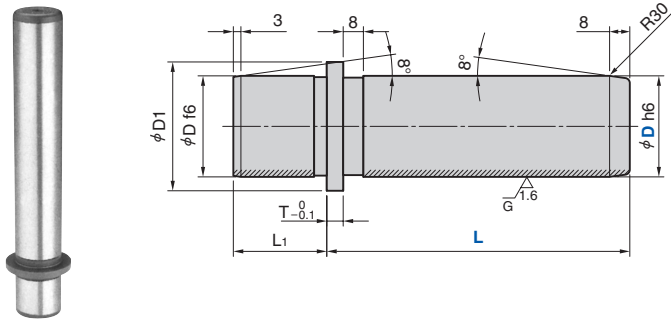


Guide Post

EUROPEAN STANDARD

GPF04

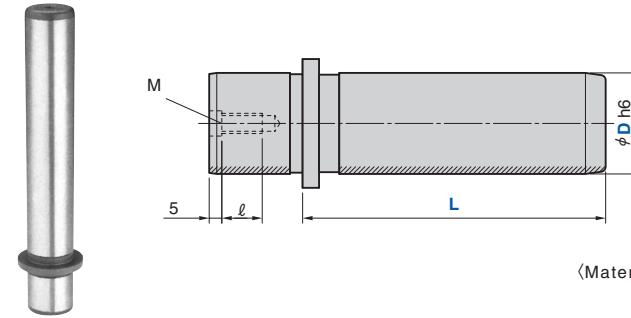


D	D1	L1	T	M
18	26	20	3.5	M6
19				
24				
25	33	24	5	
32				
40	51	37		
50	64	45	6.5	M10
63	76	49		M12
80	93	60		

D	Tolerance	
	h6	f6
18	0 -0.011	-0.016 -0.027
19	0 -0.013	-0.020 -0.033
24		
25	0 -0.016	-0.025 -0.041
32		
40		
50	0 -0.019	-0.030 -0.049
63		
80		

Catalog No.	D	L		
GPF04	18	70		
		80		
		90		
		100		
		110		
		120		
		130		
		140		
		150		
		160		
GPF05	19	70		
		80		
		90		
		100		
		110		
		120		
		130		
		140		
		150		
		160		
GPF04	24	70		
		80		
		90		
		100		
		110		
		120		
		130		
		140		
		150		
		160		
GPF05	24	170		
		180		
		200		
		220		
		240		
		280		
		GPF04	32	170
				180
				200
				220
240				
280				
GPF05	32			280
				320
				360
				400
		GPF04	40	100
				110
				120
				130
				140
				150
160				
170				
180				
200				
GPF05	40	220		
		240		
		280		
		320		
		360		
		400		
		GPF04	50	110
				120
				130
				140
150				
160				
170				
180				
200				
GPF05	50			220
		240		
		280		
		320		
		360		
		400		

GPF05 (with Tapped Thread)



M	ℓ
M6	15
M8	15
M10	16
M12	16

(Material) 42CrMo4V (SCM440)
 Hatched Area
 HRC60 to 64
 Depth 1.0 to 1.5mm

Catalog No.	D	L		
GPF04	40	100		
		110		
		120		
		130		
		140		
		150		
		160		
		170		
		180		
		200		
GPF05	40	220		
		240		
		280		
		320		
		360		
		400		
		GPF04	50	110
				120
				130
				140
150				
160				
170				
180				
200				
GPF05	50			220
		240		
		280		
		320		
		360		
		400		

Catalog No.	D	L
GPF04	63	120
		140
		160
		180
		200
		220
		240
		280
		320
		360
GPF05	63	400
		120
		140
		160
		180
		200
		220
		240
		280
		320
GPF04	80	220
		240
		280
		320
		360
		400



Catalog No.	D	L
GPF04	32	160
GPF05	40	160