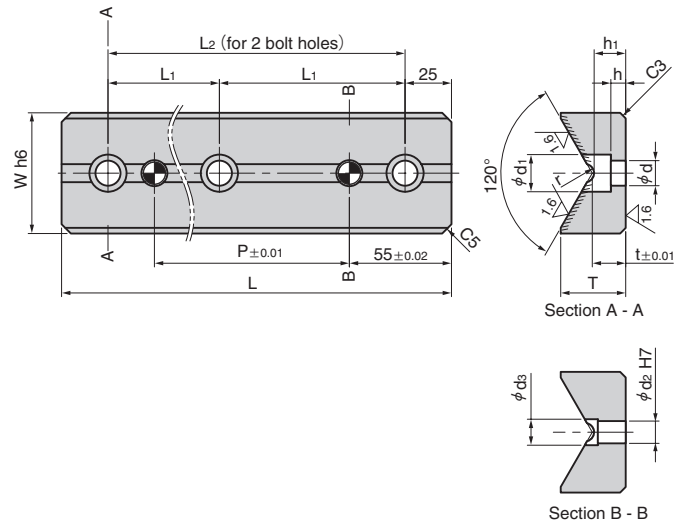
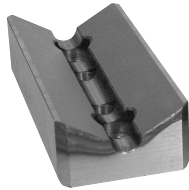


# Cam Slide Guide

EUROPEAN STANDARD

VPO (U Block Type)



(Material) 1.1730-H(S45C)  
Hatched Area  
HRC55 or more

Catalog No.	W	L	L1	L2	P	T	t	r	h	h1	d	d1	d2	d3
VPO-701	65	150	—	100	45	35	18	5	8	17	13.5	20	12	14
VPO-702		200	—	150	95									
VPO-703		250	100	—	145									
VPO-704		300	125	—	195									
VPO-711	125	150	—	100	45	60	33	5	15	32	17.5	26	16	18
VPO-712		200	—	150	95									
VPO-713		250	100	—	145									
VPO-714		300	125	—	195									

● Recommended Mounting bolt and Dowel pin

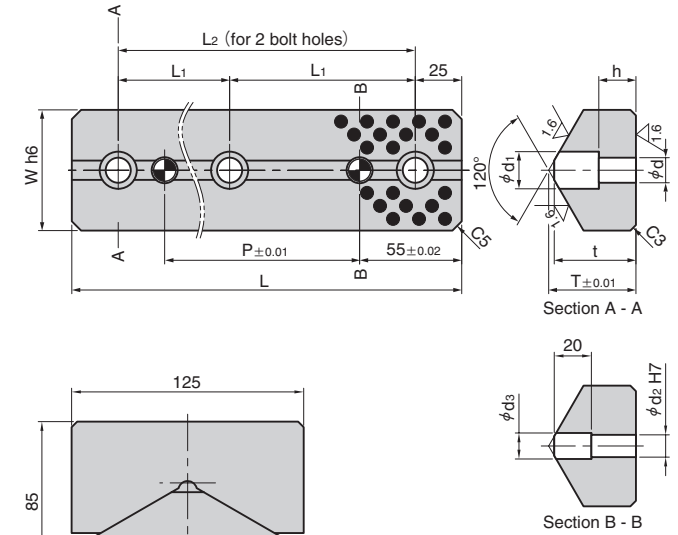
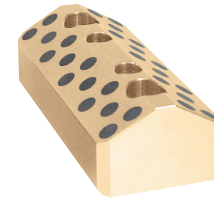
W	Mounting bolt	Dowel pin
65	M12x25	φ12x32
125	M16x50	φ16x60

Mounting bolt (DIN EN ISO4762)  
Dowel pin (DIN EN ISO8733/8735)



Catalog No.  
VPO-711

VPU (V Block Type)



(Material) SO#50SP2

Catalog No.	W	L	L1	L2	P	T	t	h	d	d1	d2	d3
VPU-751	65	150	—	100	45	47	44	20	13.5	20	12	14
VPU-752		200	—	150	95							
VPU-753		250	100	—	145							
VPU-754		300	125	—	195							
VPU-761	125	150	—	100	45	52	47	15	17.5	26	16	18
VPU-762		200	—	150	95							
VPU-763		250	100	—	145							
VPU-764		300	125	—	195							

● Recommended Mounting bolt and Dowel pin

W	Mounting bolt	Dowel pin
65	M12x25	φ12x32
125	M16x50	φ16x60

Mounting bolt (DIN EN ISO4762)  
Dowel pin (DIN EN ISO8733/8735)



Catalog No.  
VPU-751

European Standard