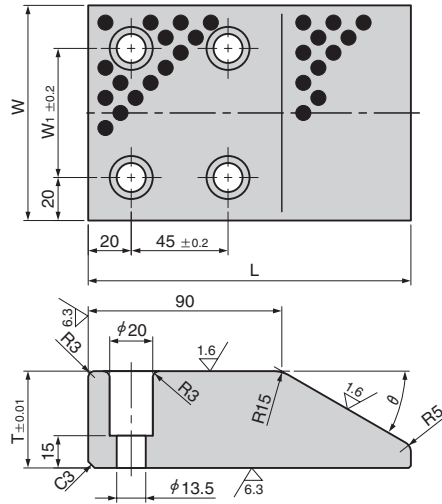


Cam Stroke Plate

EUROPEAN STANDARD

VTK-80□
VTK-81□
(Bronze with Graphite/VDI3357 Type)

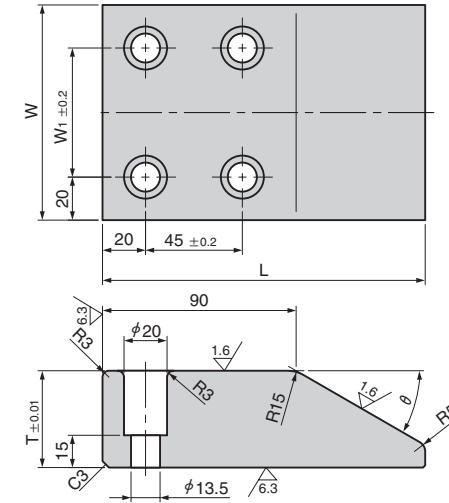
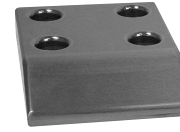


(Material) SO#50SP2

Catalog No.		W	W ₁	L	T	θ	Recommended mounting bolt
Bronze with Graphite Type	Steel Type						
VTK-801	VTK-841	100	60				
VTK-802	VTK-842	125	85	170	45	20	
VTK-803	VTK-843	150	110				
VTK-811	VTK-851	100	60	150	45	30	M12x40 (DIN EN ISO4762)
VTK-812	VTK-852			170	60		
VTK-813	VTK-853	125	85	150	45	30	M12x40 (DIN EN ISO4762)
VTK-814	VTK-854			170	60		
VTK-815	VTK-855	150	110	150	45	30	M12x40 (DIN EN ISO4762)
VTK-816	VTK-856			170	60		

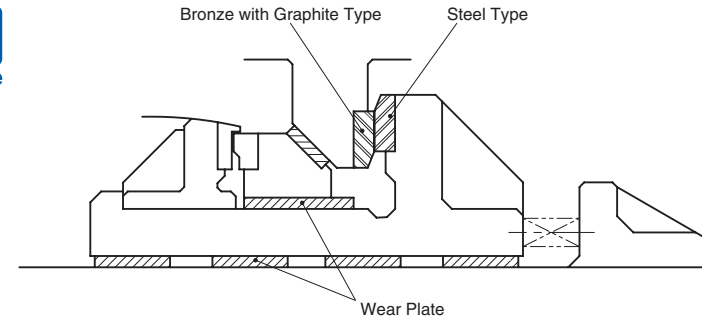
Order
VTK-813

VTK-84□
VTK-85□
(Steel/VDI3357 Type)



(Material) 11.2379(SKD11)
HRC60 or more

Example



European Standard